

EB 80 SPLASH-AREA



The splash-area assembly kits have been designed and developed for the Food & Beverage industry and, in general, for use in all the situations in which it is advisable to separate the solenoid valves from areas where there are fluids.

The kit can be used to fix a standard EB 80 island to a sheet metal plate, perforated by the customer, with compressed air fittings and pipes installed downstream.

Two models are available, one designed to accommodate 3-8 valves and one 8-12 valves. Other configurations can be made on specific request.

The plate is available in two optional materials: anticorrosive 6082 anodized aluminium and AISI 304 stainless steel.

Threaded holes are provided in the splash-area side of the plate for air supply, relief, control and utilities.

The EB 80 islands of any type can be fixed to the kit, with either multi-pin or fieldbus connection and signal modules, provided that they have one pneumatic supply source to avoid changing the pitch between valves, and the ports 2 and 4 have $\varnothing 8$ fittings and the ports 1 and 3 have $\varnothing 12$ fittings.

The valve island can be used with silenced relief provided that the threaded port of the plate is closed.



DISTRIBUTORS

EB 80 - SPLASH-AREA

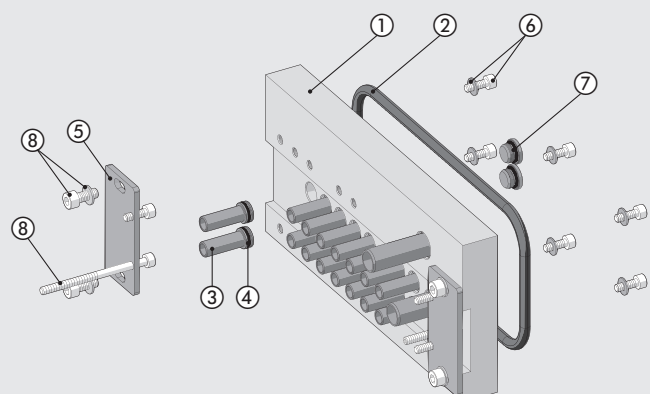
TECHNICAL DATA

General technical data	See page B2.4
Protection rating at the splash-area side	IP67
Versions	3 to 8 positions; 8 to 12 positions
Bases configurable with this number of valves	For maximum 8-position version: 3, 4, 6, 7, 8 valves For the maximum 12-position version: 8, 9, 10, 11, 12 valves
Pneumatic fittings	3/8" supply and discharge M5 piloting 1/8" delivery

N.B. The valve island to be used with the splash-area must be configured with $\varnothing 8$ mm fittings on ports 2 and 4 and $\varnothing 12$ mm fittings on ports 1, 3 and 5.

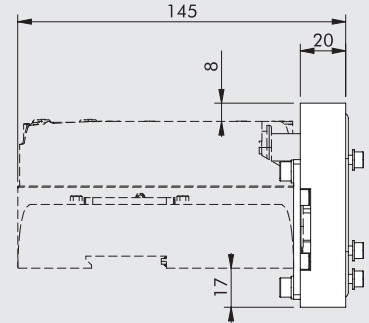
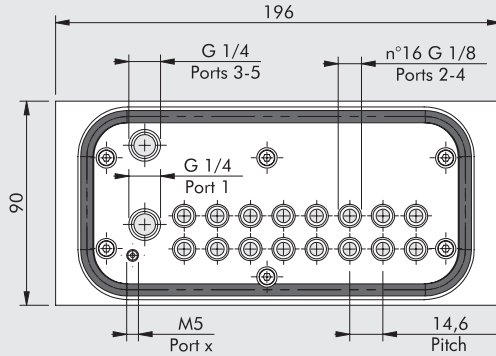
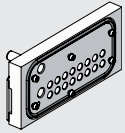
COMPONENTS

- ① SPLASH-AREA PLATE: 6082 anodized aluminium or AISI 304 stainless steel
- ② SPLASH-AREA GASKET: NBR
- ③ EXTENSIONS: nickel-plated brass
- ④ GASKETS: NBR
- ⑤ FIXING BRACKET: AISI 304 stainless steel
- ⑥ SCREWS AND WASHERS: stainless steel
- ⑦ 1/8" PLUGS: nickel-plated brass (to cover unused outputs)
- ⑧ SCREWS AND WASHERS: galvanized steel

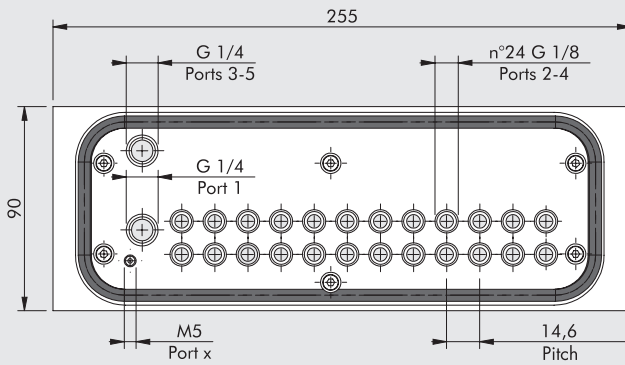
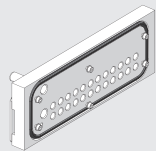


DIMENSIONS AND ORDERING CODES

3 to 8 POSITION



8 to 12 POSITION



Code	Description	Weight [g]
02282R7080	EB 80 splash-area kit 3-8 positions aluminum	919
02282R7081	EB 80 splash-area kit 3-8 positions stainless steel	2354
02282R7120	EB 80 splash-area kit 8-12 positions aluminum	1189
02282R7121	EB 80 splash-area kit 8-12 positions stainless steel	3046

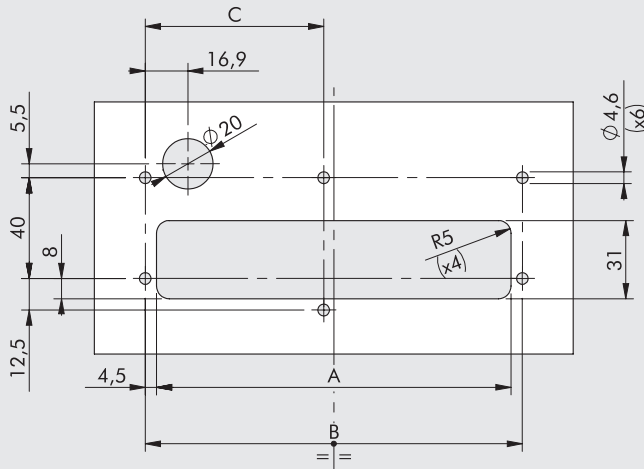
DIMENSIONS FOR THE DRILLING OF THE FIXING INTERFACE

3 to 8 POSITION

A	B	C
140.6	149.9	70.8

8 to 12 POSITION

A	B	C
199	208	100



KEY TO CODES

FAMILY	CATEGORY	SUBSYSTEM	NUMBER OF POSITIONS	MATERIAL
02282	R	7	8	0
02282 EB 80	R Spares and accessories	7 Splash-area	08 8 positions 12 12 positions	0 Anodized aluminum plate 6082 1 Plate AISI 304